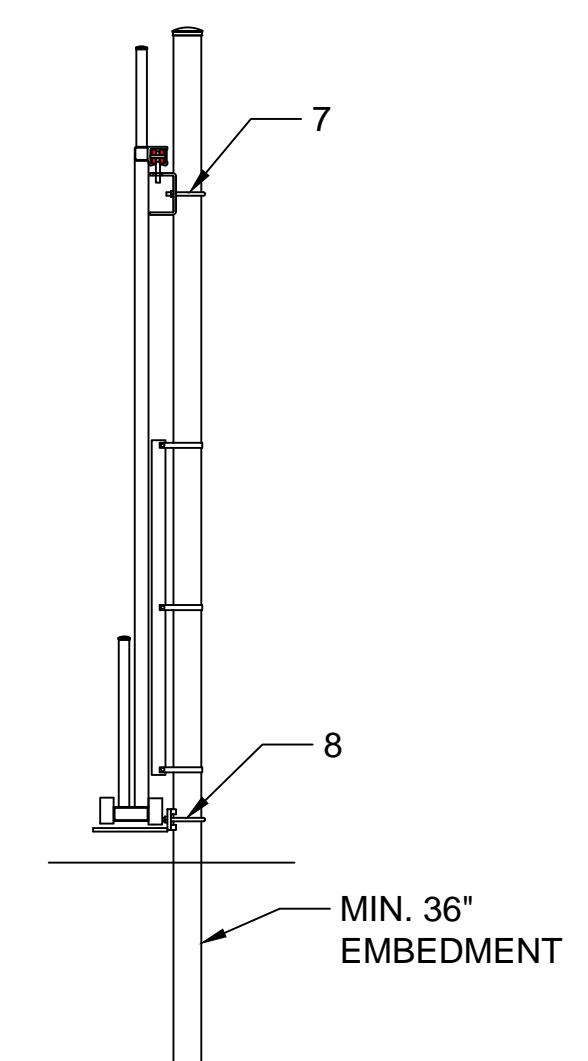


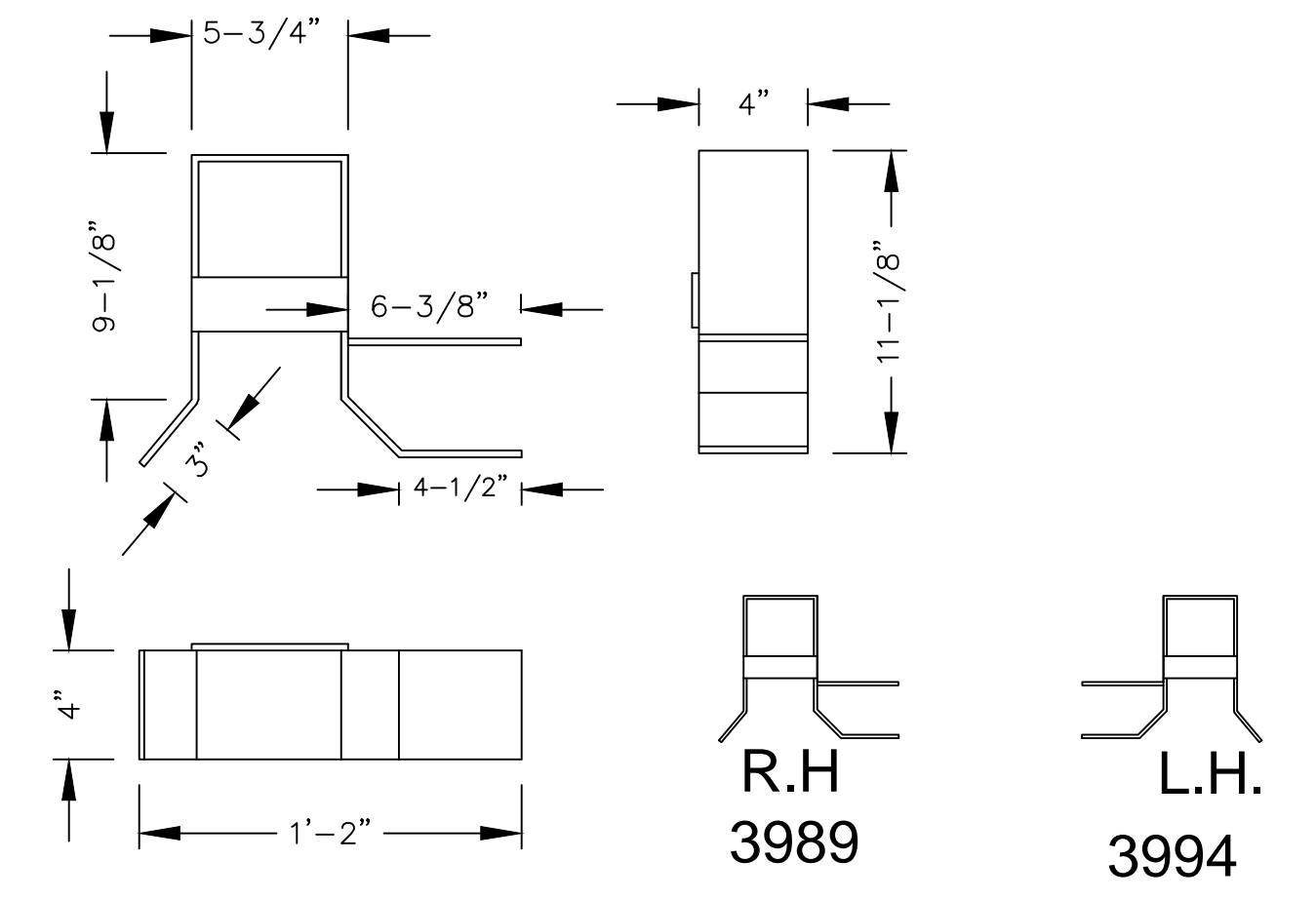
NOTE:

- STANDARD FITTINGS PROVIDED FOR 4" O.D. POSTS. OTHER SIZES AVAILABLE UPON REQUEST.
- BARB ARMS (FOR BARBED WIRE) OPTIONAL.

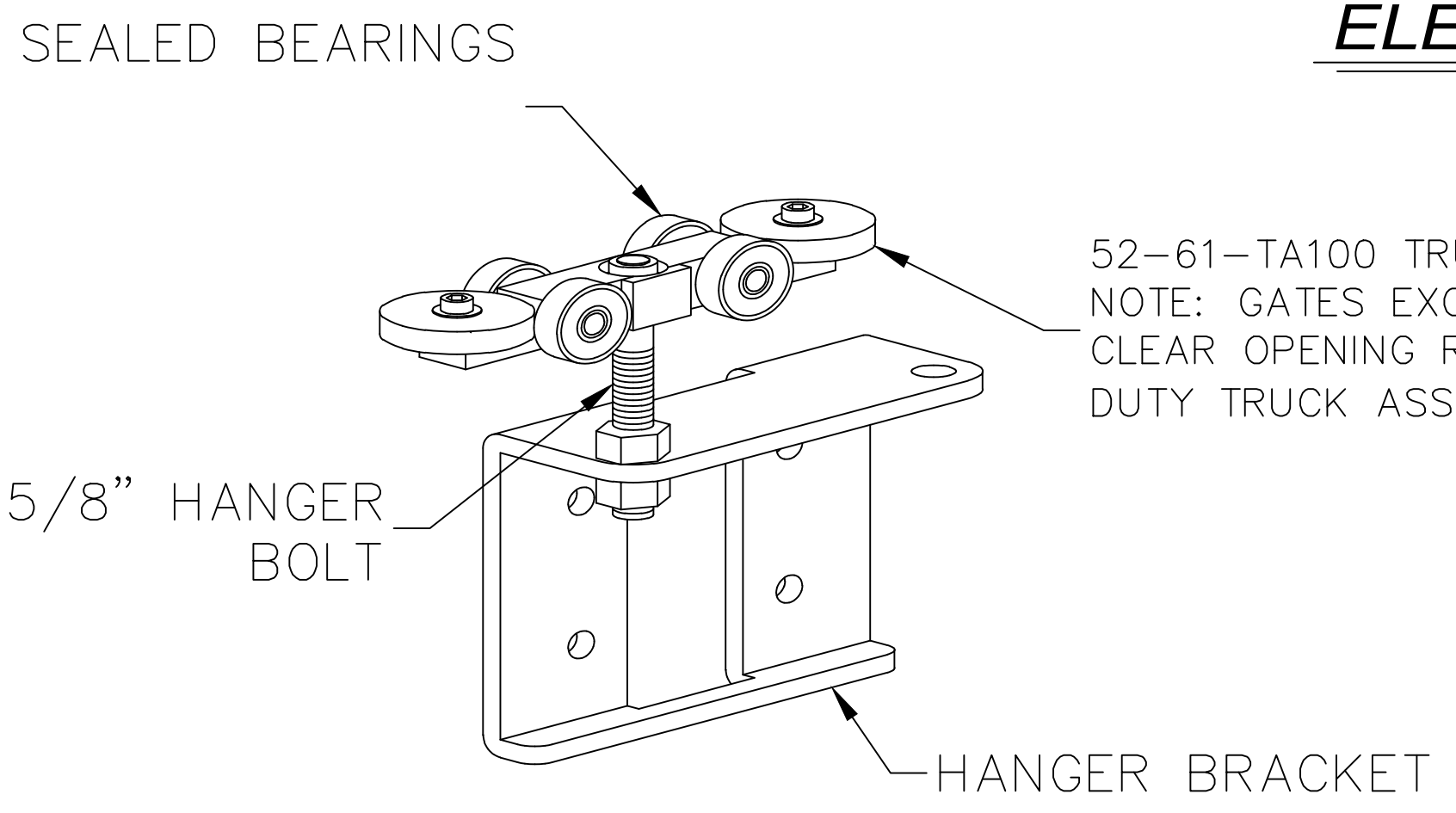
SECTION



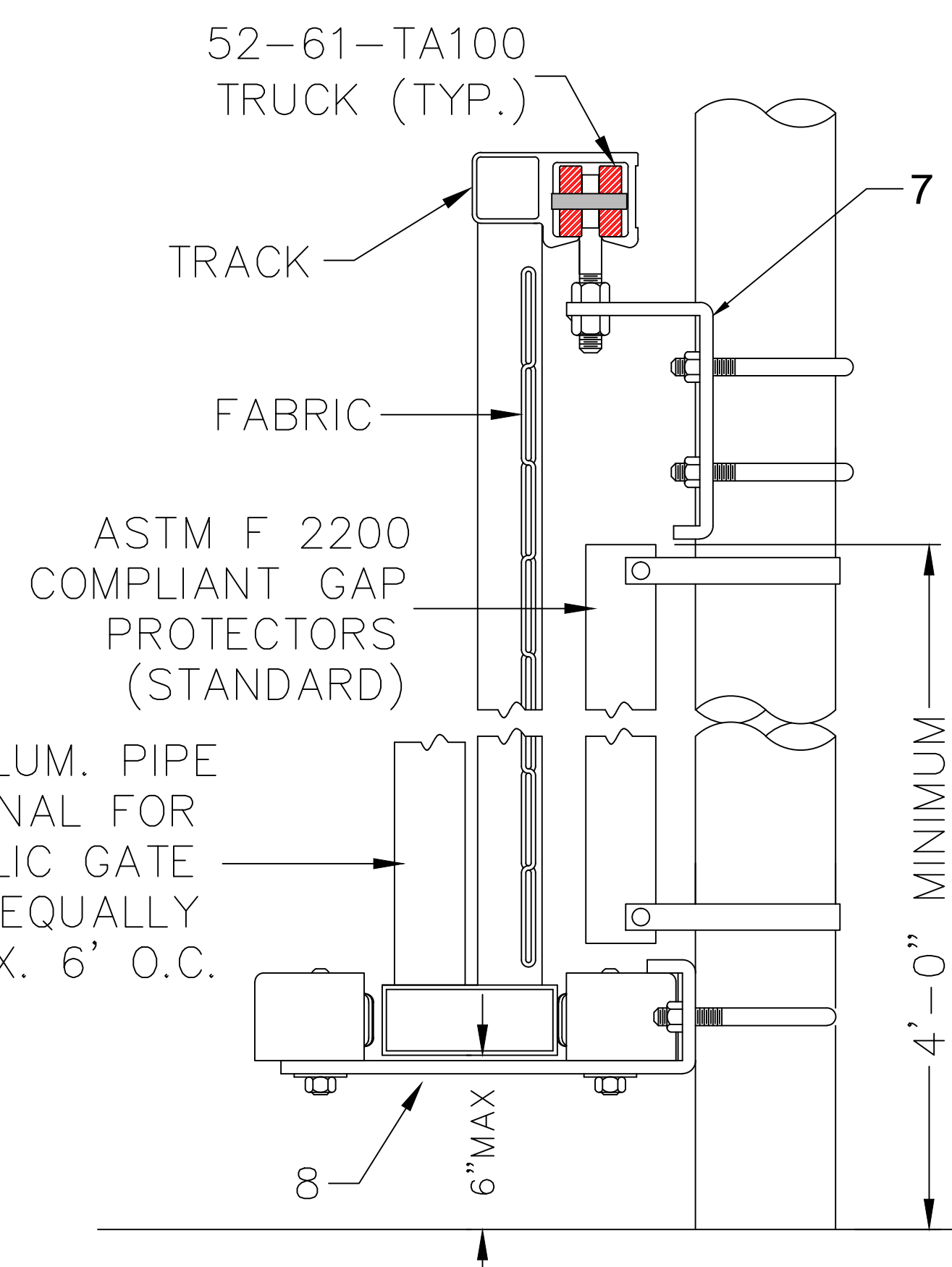
CRITICAL DIMENSION CHART			
MARK	DESCRIPTION	FORMULA	DIM.
A	CLEAR OPENING	A	-
B	COUNTERBALANCE POST SPACING C/C	(A/2)-11"	-
	GATES EXCEEDING 120 SQ.FT. CLEAR OP.	(A/2)-16"	-
C	OVERALL GATE LENGTH	A x 1.5	-
D	COUNTERBALANCE LENGTH	A x 0.5	-
E	NOMINAL GATE HEIGHT	E	-
F	POST HEIGHT (W BARB ARMS)	E + 1'-6"	-
G	FABRIC HEIGHT	E - 1'-0"	-



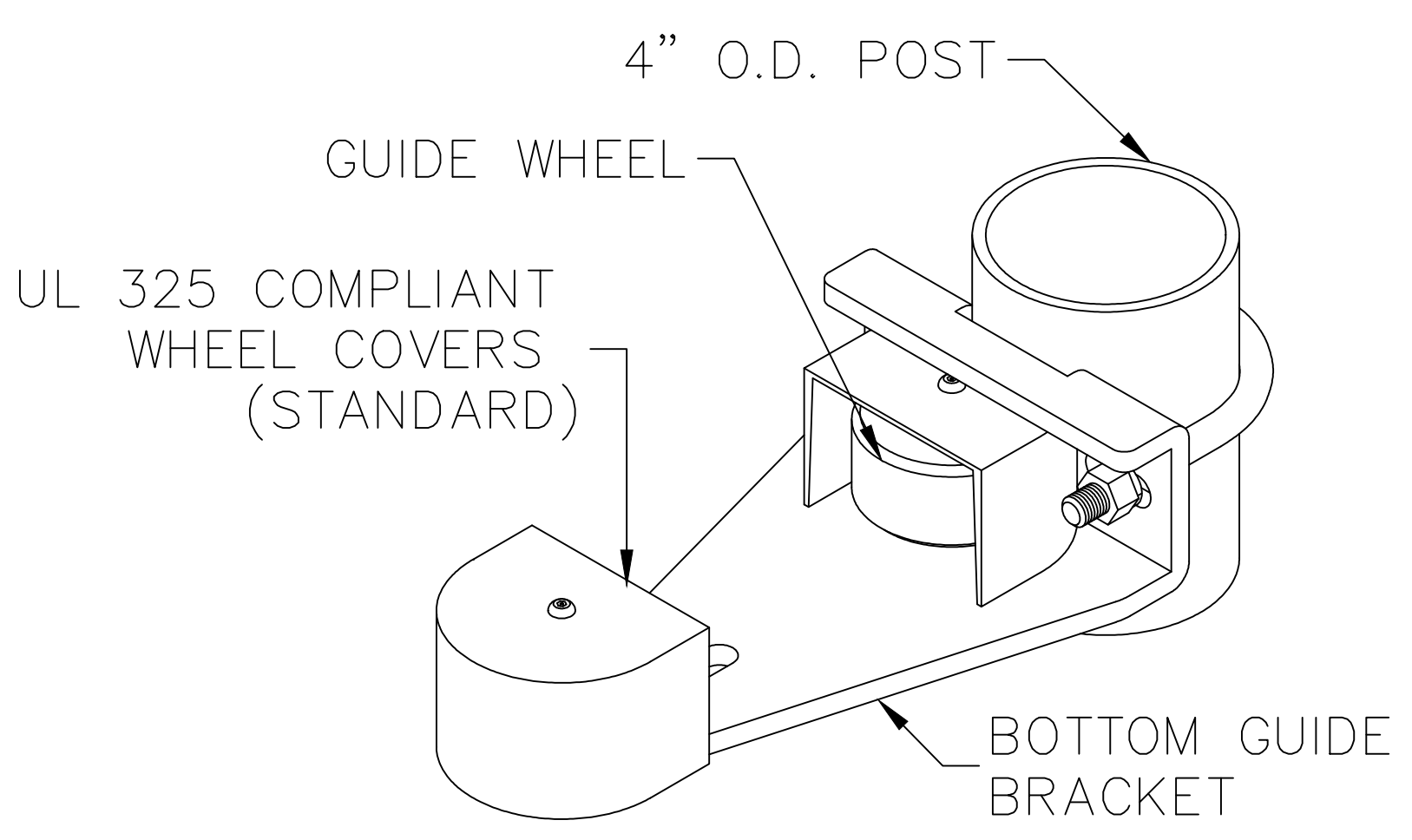
9 RECEIVER ASSEMBLY



7 GATE HANGER ASSEMBLY



ENLARGED SECTION



8 BOTTOM GUIDE

FDC STRONGWELD INDUSTRIAL CANTILEVER GATE SYSTEM

DOUBLE CLEAR OPENINGS UP TO 90°
 MATCHED WITH HYSECURITY SLIDEDRIVER 50VF 2/3 GATE OPERATOR
 (SEE SPECIFICATIONS PROVIDED)

SlideDriver 50VF2/3	FAST 5,000 lb gates 2.2 ft/s or 3 ft/s
Model	SlideDriver 50VF2/3
Part #	222-X3-ST
Duty Cycle	Continuous
Horsepower	2 hp
Drive	Hydraulic
Drive Wheels	Two 8 inch (20 cm) AdvanceDrive wheels
Gate Weight Max.	5,000 lb (2,268 kg)
Gate Length Max.	Limited only by weight
Drawbar Pull	300 lb (136 kg)
Rate of Travel	Field adjustable, 2.2 ft/s (70 cm/s) or 3 ft/s (91 cm/s) Emergency Fast Operate 3 ft/s (91 cm/s)
Temperature Rating	-40° to 158° F (-40° to 70° C)
1 Phase Power	208/230V 60/50 Hz
3 Phase Power	208/230V 60/50Hz or 380/460V 60/50Hz
Included Accessories	One premium EMX IR8-MON photo eye, one 5-foot premium ASO edge sensor and a pre-wired Hy2NC adapter
Communication	RS-232, RS-485, Ethernet/fiber using optional HyNet™ Gateway accessory
User Controls	Smart Touch Controller with 70+ configurable settings, programmed via the keypad and display or a PC using S.T.A.R.T. software.
Relay	Three configurable user relays: one 30VDC, 3A solid state and two 250VAC, 10A electromechanical; Optional Hy8Relay™ for 8 additional relay outputs
Finish	Zinc plated with powder coating
ETL Listed (UL 325)	Usage Class III, IV
Warranty	5 year w/product registration
UPS Battery Backup Power and Additional Models	
DC Power Supply* † with HyCharger DC	
AC Power Supply with HyInverter AC*	SlideDriver 50VF2/3 with HyInverter AC
Correctional Facility	SlideDriver 50VF2/3-C
Modular	SlideDriver 50VF2/3-M

* 3,000 ft/hr expected duty cycle. The operator's normal duty cycle and the actual number of gate cycles available from battery depends upon gate resistance to travel, cycle length, battery size, state of charge and health, ambient temperature, accessory power draw and frequency of gate cycles during power outage.

** SlideDriver 200 UPS has a 2,000 ft/hr (610 m/hr) expected duty cycle. Actual duty cycle depends on site specific conditions and gate configuration.

*** Refer to Installed Options on pricing for all 50Hz voltages, which are special order.

† 115V DC Power Supply requires a 30A branch circuit. Choose voltage with care as chargers are not field convertible.

FDC Florida Door Control Melbourne, FL 32934	
FDC STRONGWELD INDUSTRIAL CANTILEVER GATE SYSTEM	
PART NO.	JOB NO.
DWG. NO. FSICG1	SCALE N/A BY: BRAWN S.T.
DATE 01/04/2021	SHEET 1