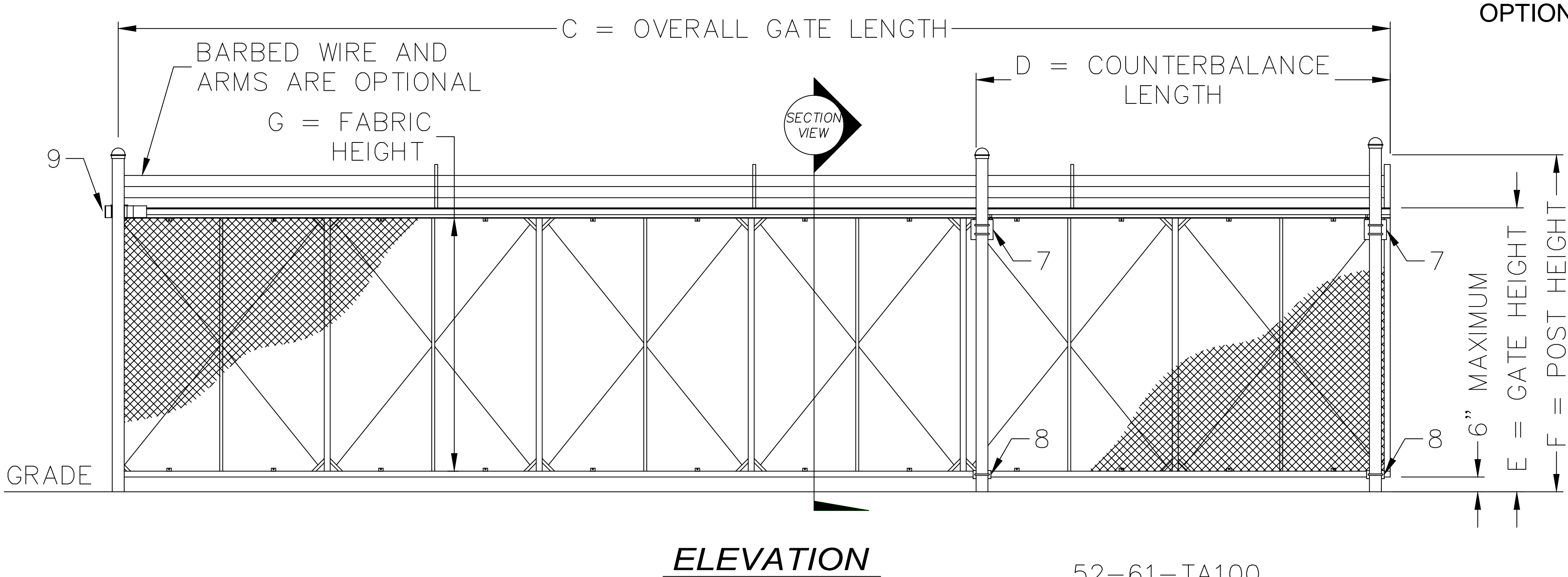
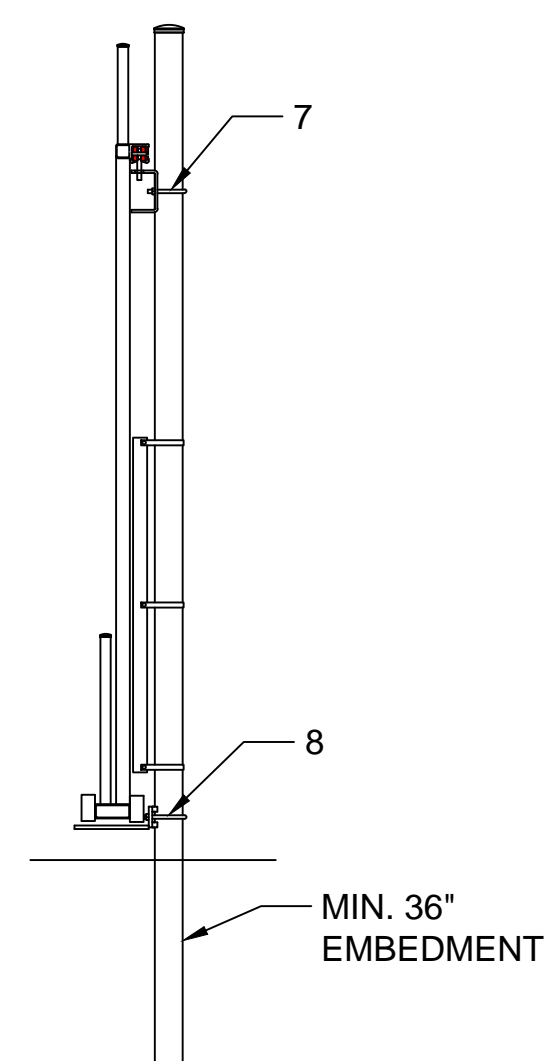


NOTE:

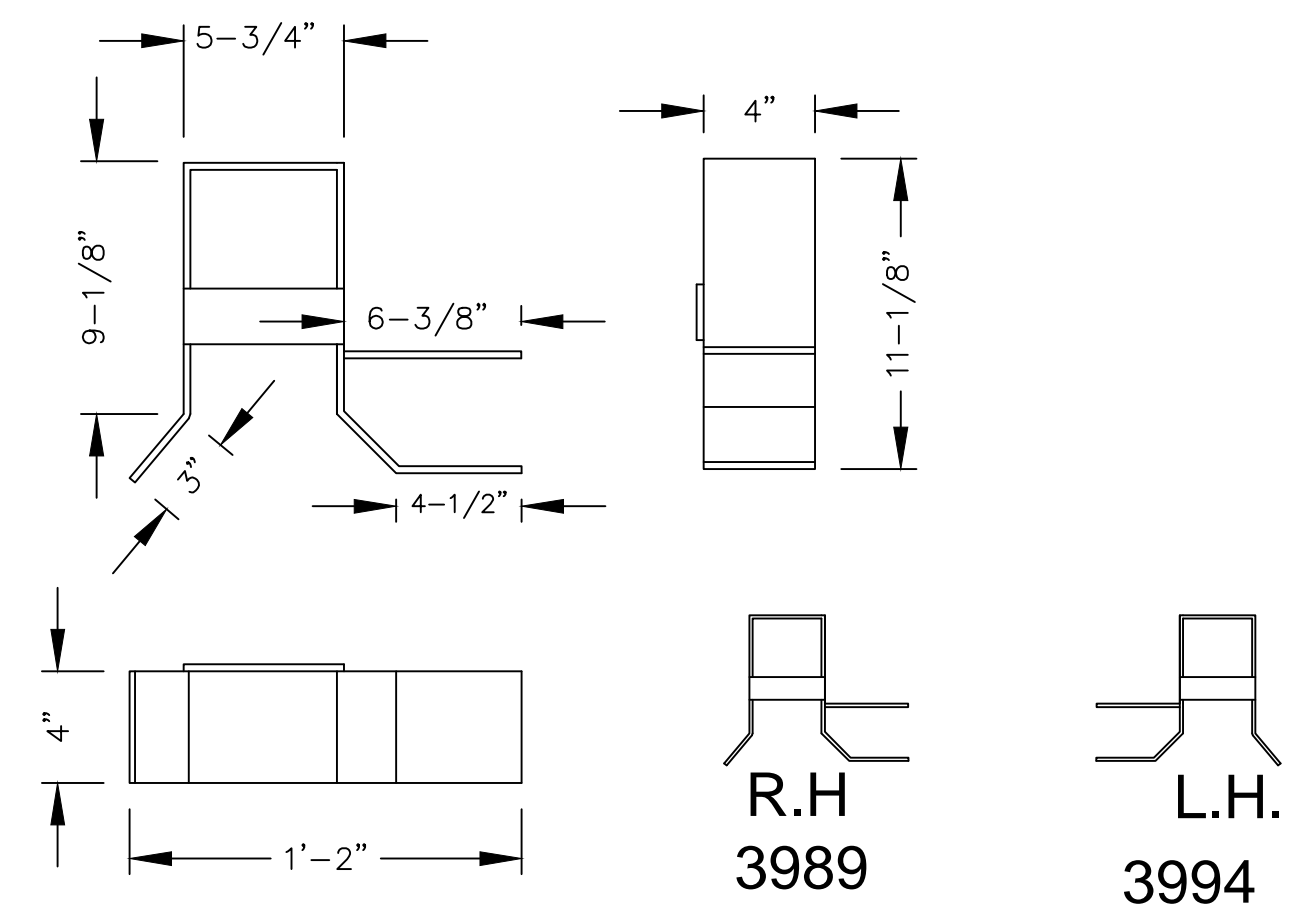
- STANDARD FITTINGS PROVIDED FOR 4" O.D. POSTS. OTHER SIZES AVAILABLE UPON REQUEST.
- BARB ARMS (FOR BARBED WIRE) OPTIONAL.



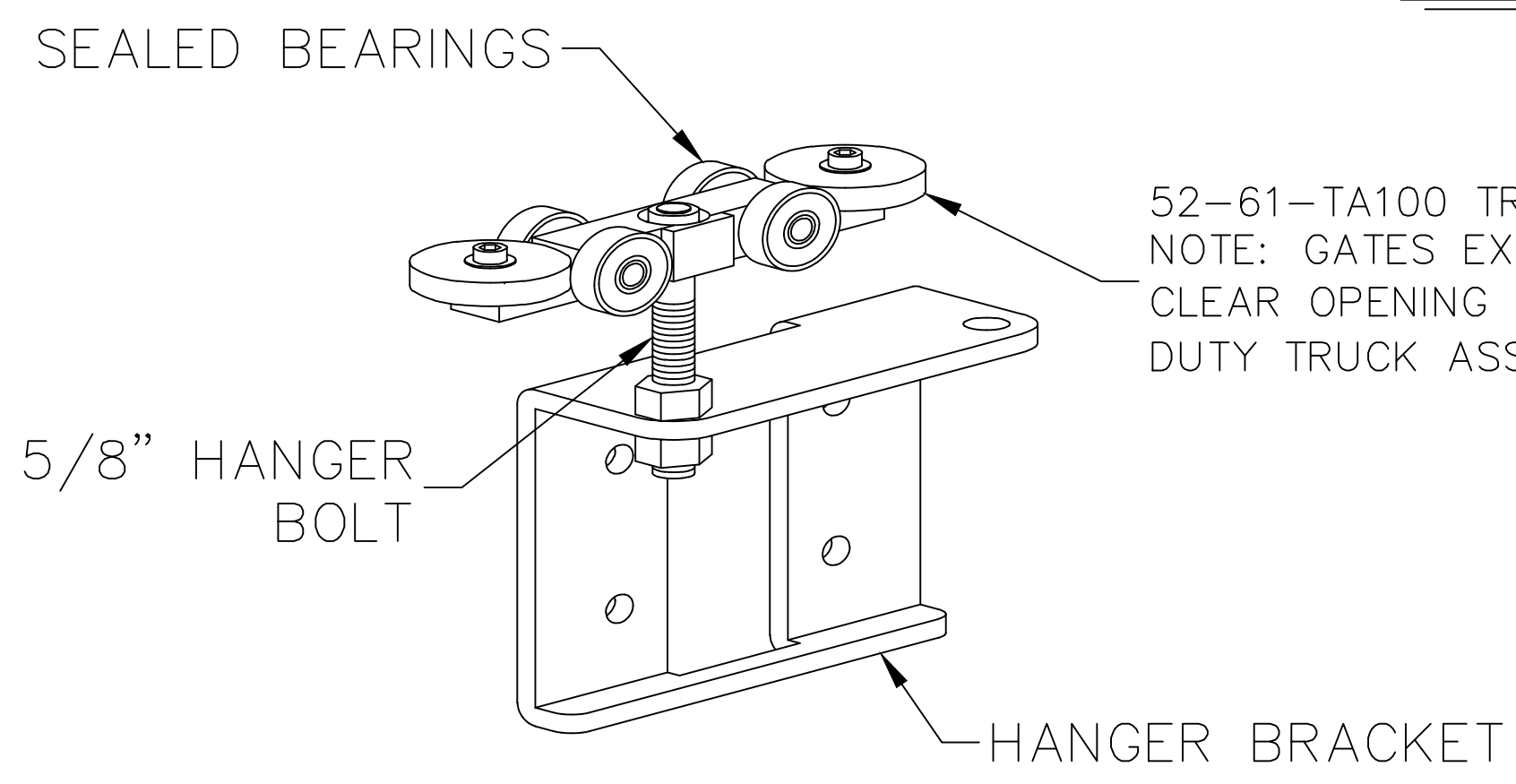
SECTION



CRITICAL DIMENSION CHART			
MARK	DESCRIPTION	FORMULA	DIM.
A	CLEAR OPENING	A	-
B	COUNTERBALANCE POST SPACING C/C	(A/2)-11"	-
	GATES EXCEEDING 120 SQ.FT. CLEAR OP.	(A/2)-16"	-
C	OVERALL GATE LENGTH	A x 1.5	-
D	COUNTERBALANCE LENGTH	A x 0.5	-
E	NOMINAL GATE HEIGHT	E	-
F	POST HEIGHT (W BARB ARMS)	E + 1'-6"	-
G	FABRIC HEIGHT	E - 1'-0"	-

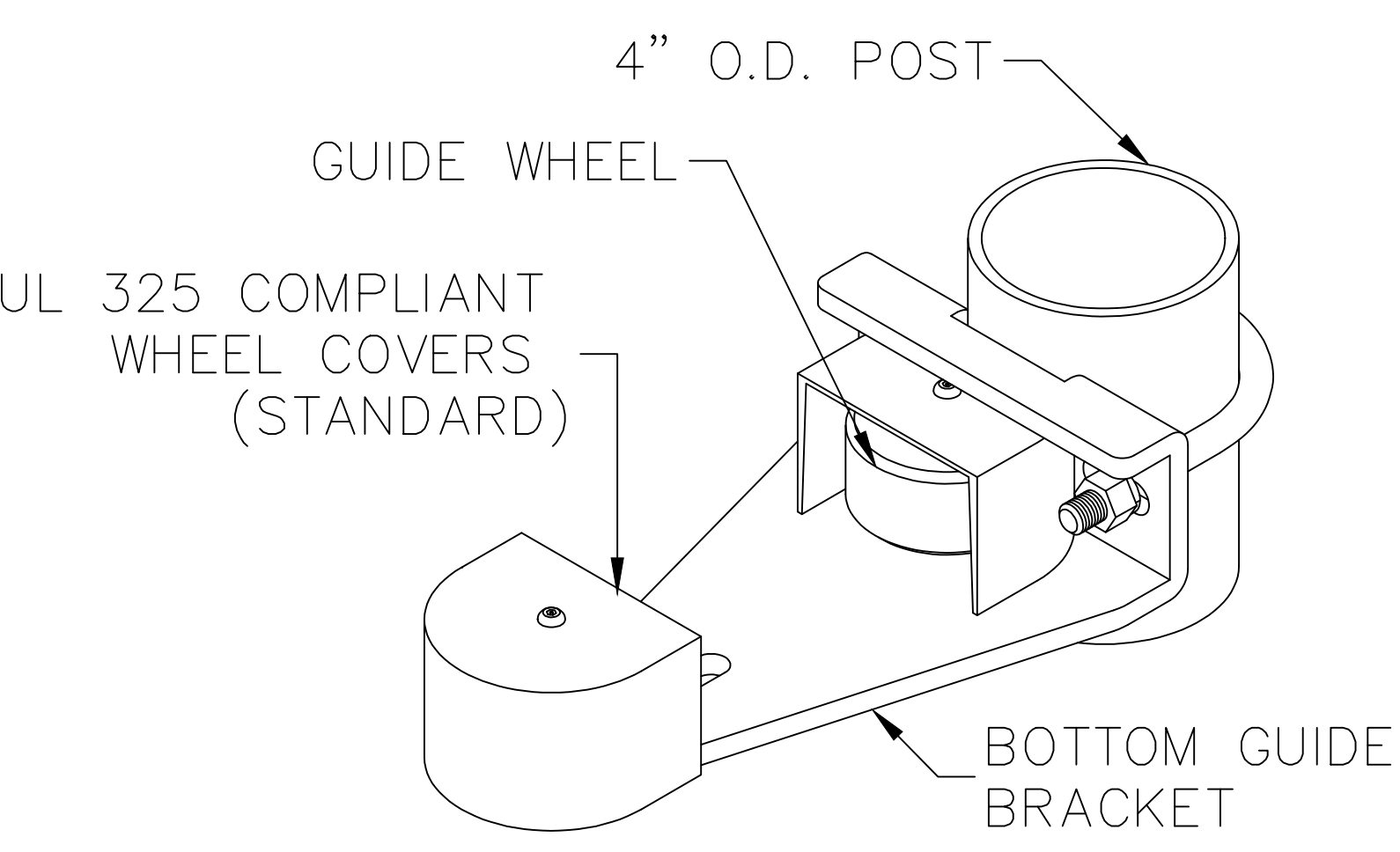


9 RECEIVER ASSEMBLY

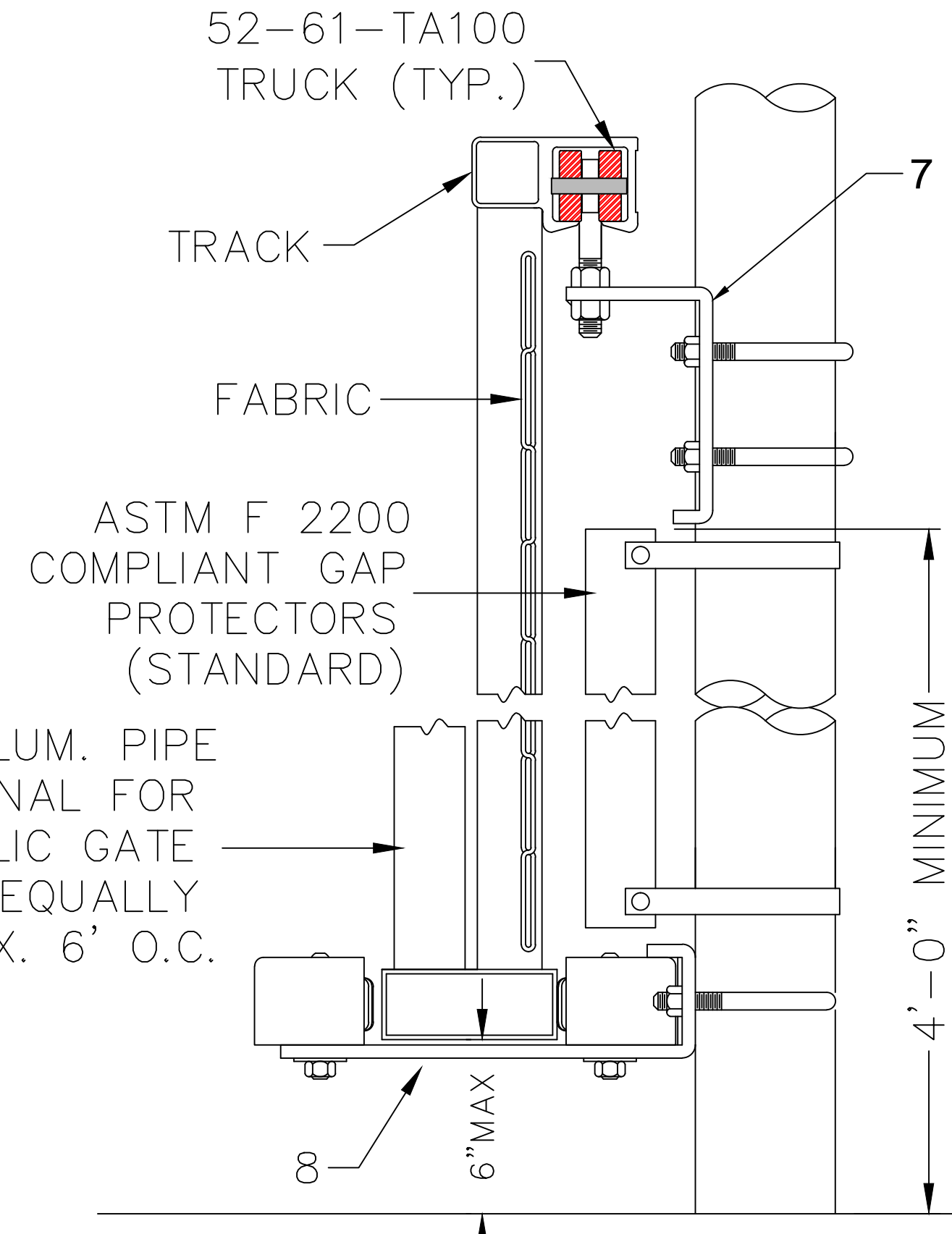


52-61-TA100 TRUCK ASSEMBLY
NOTE: GATES EXCEEDING 120 SQ.FT. CLEAR OPENING REQUIRE HEAVY DUTY TRUCK ASSEMBLY.

7 GATE HANGER ASSEMBLY



8 BOTTOM GUIDE



ENLARGED SECTION

OPERATOR SPECS HERE

FDC STRONGWELD COMMERCIAL CANTILEVER GATE SYSTEM

DOUBLE CLEAR OPENINGS UP TO 80'
MATCHED WITH HYSECURITY SLIDESMART DC OR EQUIVALENT GATE OPERATOR
(SEE SPECIFICATIONS PROVIDED)

FDC Florida Door Control
Melbourne, FL. 32934

FDC STRONGWELD COMMERCIAL CANTILEVER GATE SYSTEM	
PART NO.	JOB NO.
DWG. NO. FSCCG1	SCALE N/A BY: BRAWN S.T.
DATE 01/04/2021	SHEET 1